

CRITEC® TDXC Compact Series

TDX100C Transient Discriminating Panel Protectors

Asia/Australia
Latin America
North America



- CRITEC® Transient Discriminating (TD) Technology provides increased service life
- Built-in safety features include TD Technology, thermal protection and short circuit current cartridge fusing
- Compact NEMA-4 enclosure design can be flush mounted or installed in a small space
- LED status indication flag and voltage-free contacts provide remote status monitoring
- 100kA 8/20 maximum surge rating provides protection suitable for smaller main-distribution panels and an extended operational life
- Available in various operating voltages to suit most common power distribution systems
- CE, UL® pending

The TDX100 Series of Transient Voltage Surge Suppressors are designed for critical protection applications. The 100kA 8/20µs of surge protection exceeds the IEEE® C62.41.2 Scenario II single shot surge rating requirements for exposed service entrance locations – Exposure 3.

The NEMA-4 weather tight housing allows the TDX to be installed on indoor or outdoor service panels. The preconfigured connecting leads simplify installation. The unique narrow construction allows the SPD to fit between adjacent panel boards and connect via a 90-degree elbow. A flush mounting kit is also available for installing the SPD in drywall applications.



Typical installation.

DISTRIBUIDO EN MEXICO POR:

VALDEZ INGENIEROS S.A DE C.V

CRITEC® TDXC Compact Series

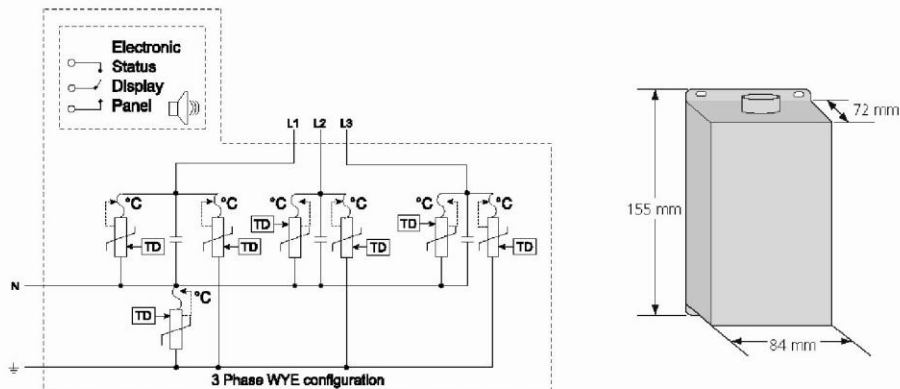
TDX100C Transient Discriminating Panel Protectors

Model	TDX100C 120	TDX100C 120/240	TDX100C 120/208	TDX100C 120/240D	TDX100C 240	TDX100C 277/480	TDX100C 347/600	
Nominal Voltage U_n (pole)	120V~	120/240V~	120/240V~	120/240V~	240V~	277/480V~	347/600V~	
Distribution System ⁽¹⁾	1Ph 2W+G	1Ph 3W+G	3Ph 4W+G	3Ph Δ 4W+G	1Ph 2W+G	3Ph 4W+G (& 3W+G ⁽²⁾)	3Ph 4W+G	
MCOV U_c	170V~	170/340V~	170/295V~	170/340V~	275V~	310/536V~	480V/830V~	
Stand off Voltage	240V~	240/480V~	240/415V~	240/415V~	415V~	480/813V~	600V/1040V~	
Frequency	50 / 60Hz							
Short Circuit Current Rating	200kAIC (Isc)							
Technology Used	TD Technology with thermal disconnect Over-current Replaceable Cartridge Fusing							
Protection								
Maximum Discharge Current (I _{max} /per line)	100kA 8/20 μ s							
Nominal Discharge Current (I _n /per line)	40kA 8/20 μ s				40kA 8/20 μ s			
Protection Modes	All modes protected via L-N, L-G & N-G							
Protection Level (L-N) Up @ 3kA	< 450V			< 800V		< 450V		
Protection Level (L-N) Up @ I _n	< 1.1kV			< 1.2kV		< 900V		
Alarms and Indicators								
Status Indication	LED status indication per phase, all modes monitored Remote contacts, change-over, 125V~ / 3A, max 1.5 mm ² (#14AWG) terminals							
Physical Data								
Dimensions	155 mm x 84 mm x 72 mm (6" x 3.25" x 2.875")							
Weight	0.8 kg (1.75 lb) approx.							
Enclosure	Aluminum, IP 65 (NEMA-4)							
Connection	Line: 600 mm of 5.26 mm ² (24" of # 10 AWG) flying leads Neutral/Ground: 900 mm of 5.26 mm ² (36" of # 10 AWG) flying leads							
Mounting	3/4" straight nipple Optional flush mounting plate for drywall							
Temperature	-40°C to +80°C (-40°F to +176°F)							
Humidity	0 to 90%							
Test Standards								
Approvals	CE, IEC™ 61643-1, UL® 1449 Pending, C-Tick							
Surge Rated to Meet	IEC 61643-1 Class II, ANSI/IEEE C62.41-1991 Cat A, Cat B, Cat C ANSI/IEEE C62.41.2 Scenario II, Exposure 2, 50kA 8/20 μ s							

(1) Grounded systems only. 240D and 480D should not be used on high-leg or ungrounded systems.

(2) TDX50C277/480 can be used on "No Neutral" 480V Wye 3W+G systems.

Due to a policy of continual product development, specifications are subject to change without notice.



DISTRIBUIDO EN MEXICO POR:

VALDEZ INGENIEROS S.A DE C.V